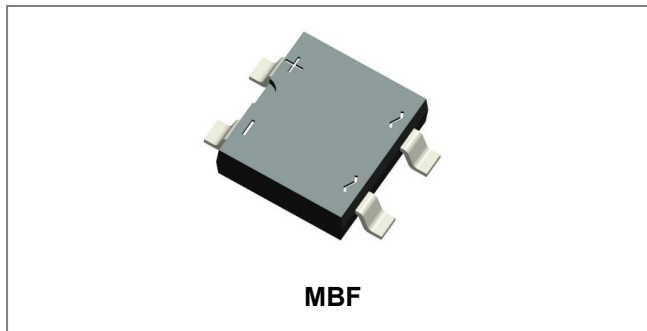


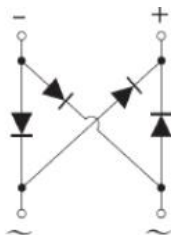
## MB05F THRU MB10F SINGLE PHASE 0.8AMP SURFACE MOUNT GLASS PASSIVATED BRIDGE RECTIFIER



### Features

- Glass passivated die construction
- Low forward voltage drop
- High current capability
- High surge current capability
- Designed for surface mount application
- Plastic material-UL flammability 94V-0
- This is a Pb – Free Device
- “-HF” suffix is for Halogen Free Device
- All SMC parts are traceable to the wafer lot
- Additional testing can be offered upon request

### Circuit Diagram



### Mechanical Data

- Case: MBF, Molded plastic
- Terminals: Plated leads solderable per MIL-STD-202, Method 208
- Polarity: as marked on case
- Mounting Position: Any
- Lead Free: For RoHS / Lead Free Version

### Maximum Ratings @ $T_A=25^{\circ}\text{C}$ unless otherwise specified

Type Number	Symbol	MB05F	MB1F	MB2F	MB4F	MB6F	MB8F	MB10F	Units	
MB05F-HF THRU MB10F-HF Marking Code		MB05FH	MB1FH	MB2FH	MB4FH	MB6FH	MB8FH	MB10FH		
Peak Repetitive Reverse Voltage DC Blocking Voltage	$V_{RRM}$ $V_{DC}$	50	100	200	400	600	800	1000	V	
RMS Voltage	$V_{RMS}$	35	70	140	280	420	480	700	V	
Average Rectified Output Current (Note 1)@ $T_A=40^{\circ}\text{C}$ (Note 2)@ $T_A=40^{\circ}\text{C}$	$I_o$					0.5 0.8				A
Non-Repetitive Peak Forward Surge Current 8.3ms Single half sine-wave superimposed on rated load (JEDEC Method)	$I_{FSM}$					30				A
Rating for fusing (t<8.3ms)	$I^2t$					3.74				A <sup>2</sup> s

**Electrical Characteristics: @T<sub>A</sub>=25°C unless otherwise specified**

Type Number	Symbol	MB05F	MB1F	MB2F	MB4F	MB6F	MB8F	MB10F	Units
MB05F-HF THRU MB10F-HF Marking Code		MB05FH	MB1FH	MB2FH	MB4FH	MB6FH	MB8FH	MB10FH	
Forward Voltage per element @I <sub>F</sub> =0.8A	V <sub>FM</sub>	1.1							V
Peak Reverse Current @T <sub>A</sub> = 25°C At Rated DC Blocking Voltage @T <sub>A</sub> = 125°C	I <sub>R</sub>	5 500							μA
Typical Junction Capacitance (Note 3)	C <sub>j</sub>	13							pF

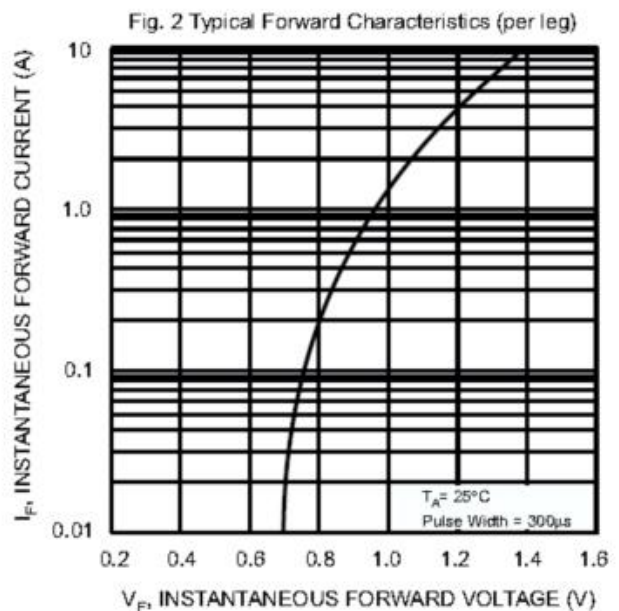
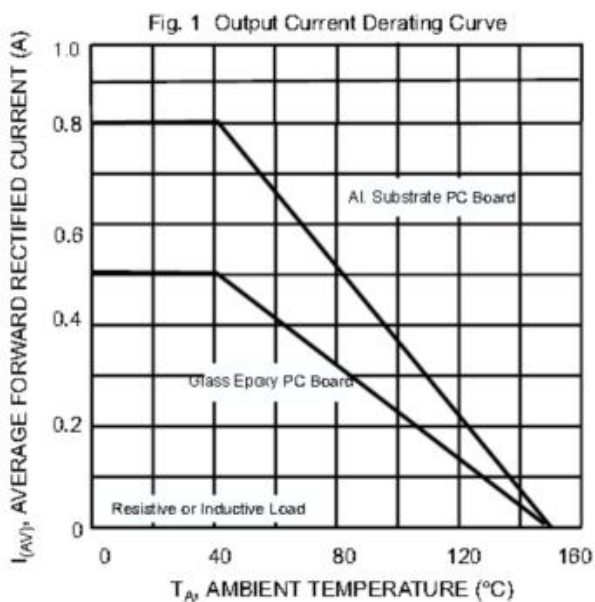
\* Pulse width < 300 μs, duty cycle < 2%

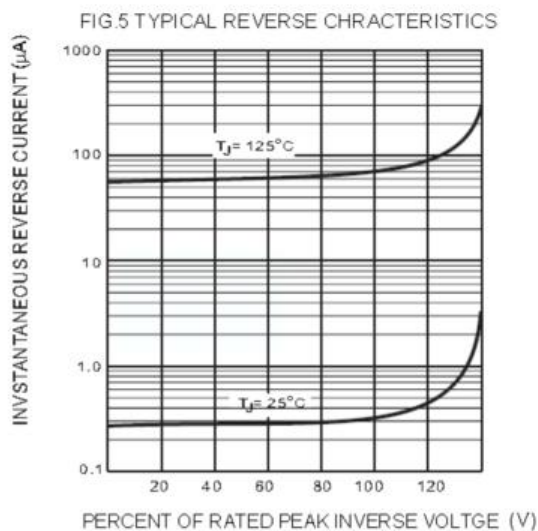
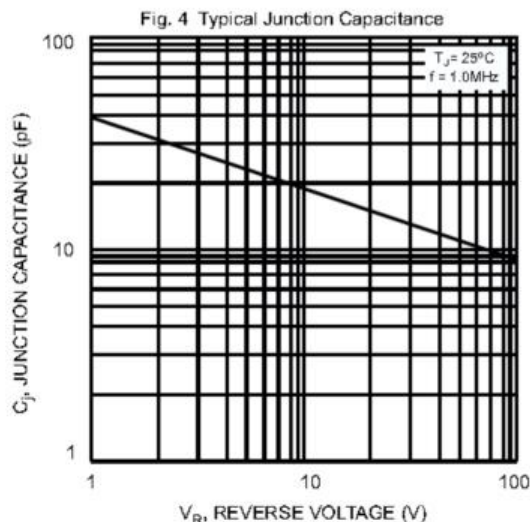
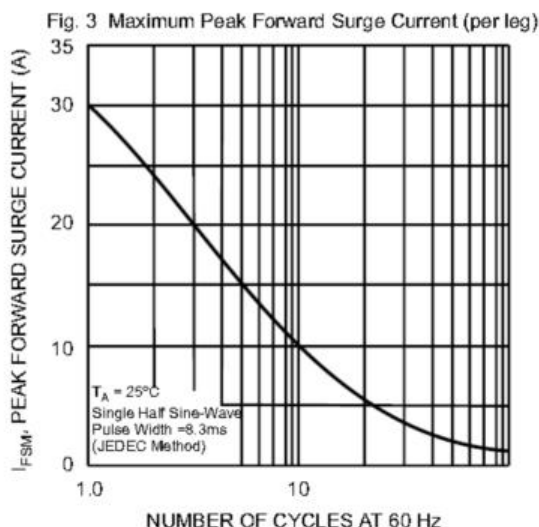
**Thermal-Mechanical Specifications: @T<sub>A</sub>=25°C unless otherwise specified**

Type Number	Symbol	MB05F	MB1F	MB2F	MB4F	MB6F	MB8F	MB10F	Units
MB05F-HF THRU MB10F-HF Marking Code		MB05FH	MB1FH	MB2FH	MB4FH	MB6FH	MB8FH	MB10FH	
Typical Thermal Resistance per leg	R <sub>θJA</sub>	60							°C/W
	R <sub>θJL</sub>	16							
Operating Junction and Storage Temperature Range	T <sub>J</sub> , T <sub>STG</sub>	-55+150							°C

Note: 1. Mounted on glass epoxy PC board with 1.3mm<sup>2</sup> solder pad.  
2. Measured at 1.0 MHz and applied reverse voltage of 4.0V D.C.  
3. Thermal Resistance From Junction to Ambient

**Ratings and Characteristics Curves**



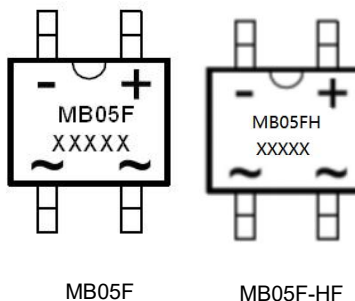


### Ordering Information

Device	Package	Plating	Shipping
MB05F THRU MB10F	MBF	Pure Sn	5000pcs / reel
MB05FTR THRU MB10F TR	MBF	Pure Sn	5000pcs / reel

For information on tape and reel specifications, including part orientation and tape sizes, please refer to our tape and reel packaging specification.

### Marking Diagram

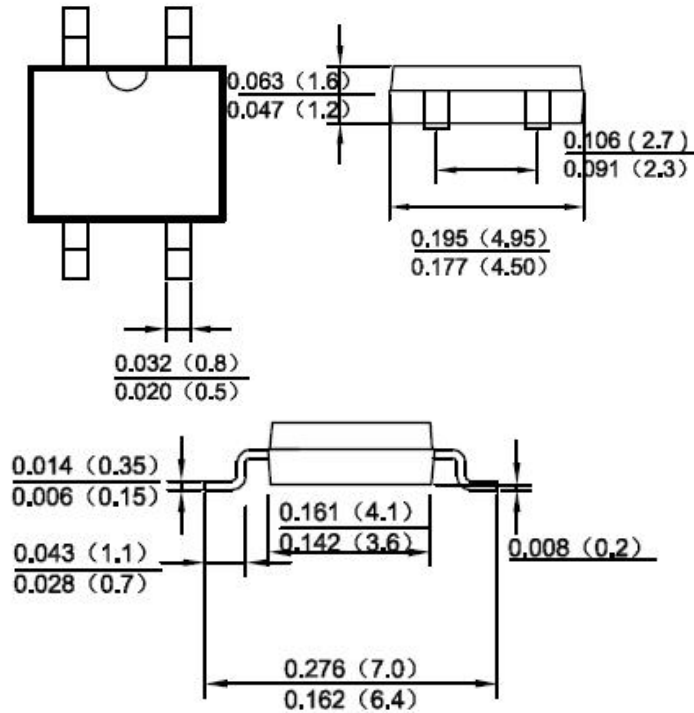


Where XXXXX is YYWWL

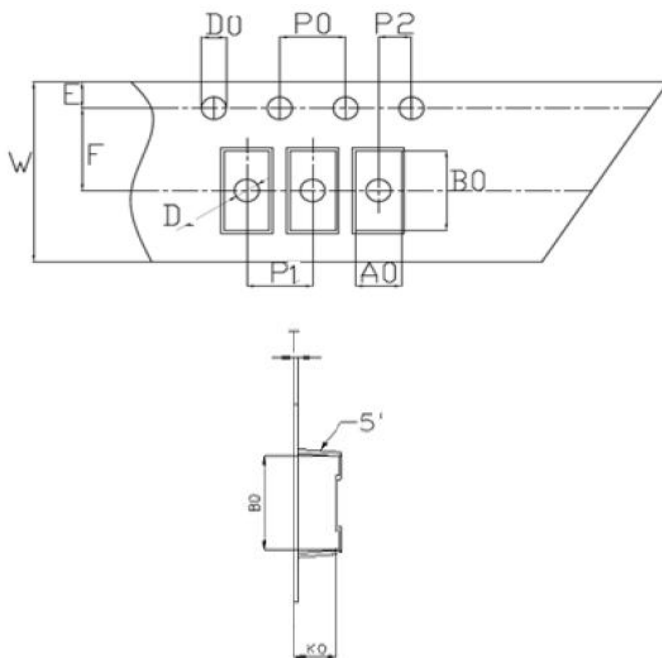
MB05F = Type Number  
 MB05FH = Marking Code  
 YY = Year  
 WW = Week  
 L = Lot Number

**Cautions:** Molding resin  
 Epoxy resin UL:94V-0

**Mechanical Dimensions MBF(Inches/Millimeters)**



**Carrier Tape & Reel Specification MBF**



SYMBOL	Millimeters	
	Min.	Max.
A0	5.21	5.41
B0	7.10	7.30
D0	1.50	1.60
D1	1.40	1.60
P0	3.90	4.10
P1	7.90	8.10
P2	1.95	2.05
E	1.65	1.85
K0	1.55	1.75
F	5.45	5.55
W	11.90	12.10
T	0.24	0.30
10P0	39.80	40.20

**DISCLAIMER:**

- 1- The information given herein, including the specifications and dimensions, is subject to change without prior notice to improve product characteristics. Before ordering, purchasers are advised to contact the SMC Diode Solutions sales department for the latest version of the datasheet(s).
- 2- In cases where extremely high reliability is required (such as use in nuclear power control, aerospace and aviation, traffic equipment, medical equipment, and safety equipment), safety should be ensured by using semiconductor devices that feature assured safety or by means of users' fail-safe precautions or other arrangement.
- 3- In no event shall SMC Diode Solutions be liable for any damages that may result from an accident or any other cause during operation of the user's units according to the datasheet(s). SMC Diode Solution assumes no responsibility for any intellectual property claims or any other problems that may result from applications of information, products or circuits described in the datasheets.
- 4- In no event shall SMC Diode Solutions be liable for any failure in a semiconductor device or any secondary damage resulting from use at a value exceeding the absolute maximum rating.
- 5- No license is granted by the datasheet(s) under any patents or other rights of any third party or SMC Diode Solutions.
- 6- The datasheet(s) may not be reproduced or duplicated, in any form, in whole or part, without the expressed written permission of SMC Diode Solutions.
- 7- The products (technologies) described in the datasheet(s) are not to be provided to any party whose purpose in their application will hinder maintenance of international peace and safety nor are they to be applied to that purpose by their direct purchasers or any third party. When exporting these products (technologies), the necessary procedures are to be taken in accordance with related laws and regulations.